

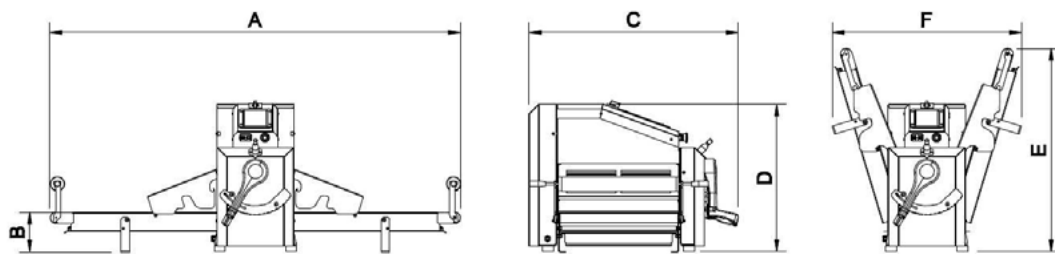
MANUAL SHEETERS

QUEEN 50B - QUEEN 50S

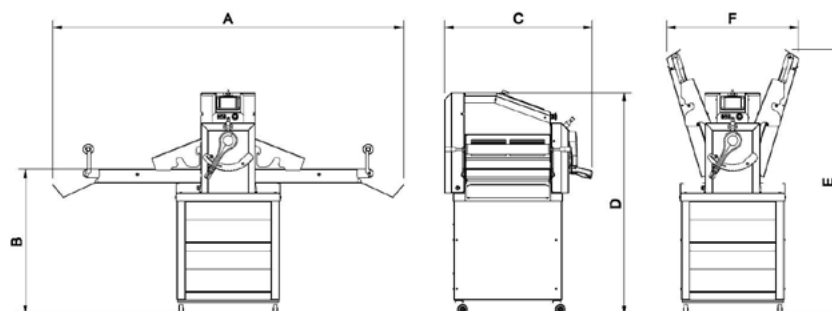


QUEEN 50B

- Heavy duty structure made in steel stove painted
- Standard colour: grey RAL 9007
- Available the bench model (Q50B) and with shelves structure mounted on castors (Q50S)
- The strengths of this manual dough sheeter of 500 mm are the very compact dimensions, the foldable tables and the lamination precision
- Thanks to the generous cylinders of 60 mm can assure a good lamination also with difficult types of dough
- Collection flour tray and safety protection made in stainless steel
- Belts inversion through Joystick and ergonomics handle that allow the opening and closing of the cylinders complete the standard equipment



Q50B



Q50S



	Belts dimensions	Speed	Cylinder opening	Power	Voltage	Dimensions							Weight						
						mm	m/min.	mm	kW	V~/Hz	mm							Kg	
											A	B		C	D	E	F		G
TRONIC PLUS TRONIC MAN TRONIC	654/2000	10÷60	0÷60	2,1	400/3~/50	4530	870	1045	1230	1340	2690	2850	370						
	654/1800	10÷60	0÷60	2,1	400/3~/50	4130	870	1045	1230	1340	2530	2630	370						
	654/1600	10÷60	0÷60	2,1	400/3~/50	3730	870	1045	1230	1340	2360	2405	370						
	654/1400	10÷60	0÷60	2,1	400/3~/50	3330	870	1045	1230	1340	2190	2185	370						
	654/1200	10÷60	0÷60	2,1	400/3~/50	2930	870	1045	1230	1340	2025	1965	370						
Q670	654/2000	35	0÷60	1,5	400/3~/50	4530	870	1170	1340	-	-	-	270						
	654/1800	35	0÷60	1,5	400/3~/50	4130	870	1170	1340	2530	2630	-	270						
	654/1600	35	0÷60	1,5	400/3~/50	3730	870	1170	1340	2360	2405	-	270						
	654/1400	35	0÷60	1,5	400/3~/50	3330	870	1170	1230	2190	2185	-	270						
	654/1200	35	0÷60	1,5	400/3~/50	2930	870	1170	1230	2025	1965	-	270						
Q600	584/1500	35	0÷50	0,75	400/3~/50	3485	870	1050	1250	2250	1205	-	190						
	584/1400	35	0÷50	0,75	400/3~/50	3285	870	1050	1250	2150	1140	-	190						
	584/1300	35	0÷50	0,75	400/3~/50	3085	870	1050	1250	2060	1075	-	190						
	584/1200	35	0÷50	0,75	400/3~/50	2885	870	1050	1250	1965	1010	-	190						
	584/1000	35	0÷50	0,75	400/3~/50	2485	870	1050	1250	1775	880	-	190						
Q500	488/1200	35	0÷40	0,55	400/3~/50	2855	850	865	1315	1960	800	-	160						
	488/1000	35	0÷40	0,55	400/3~/50	2455	850	865	1315	1765	720	-	160						
	488/900	35	0÷40	0,55	400/3~/50	2255	850	865	1315	1665	680	-	160						
	488/800	35	0÷40	0,55	400/3~/50	2055	850	865	1315	1565	645	-	160						
	488/700	35	0÷40	0,55	400/3~/50	1855	850	865	1315	1470	605	-	160						
Q50S	488/800	35	0÷40	0,55	400/3~/50	2055	850	865	1315	1550	775	-	115						
	488/700	35	0÷40	0,55	400/3~/50	1855	850	865	1315	1455	720	-	115						
Q50B	488/800	35	0÷40	0,55	400/3~/50	1700	165	865	630	845	785	-	115						
	488/700	35	0÷40	0,55	400/3~/50	1500	165	865	630	750	785	-	115						