

# AUTOMATIC SHEETERS TRONIC PLUS



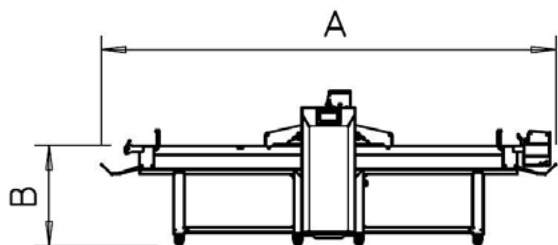
## THE DOUGH SHEETERS QUEEN!

This is the evolution of the sister QUEEN TRONIC but add:

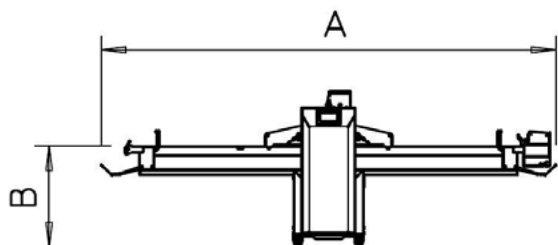
- completely stainless steel structure AISI 304
- automatic coiler
- automatic flour duster

## More features:

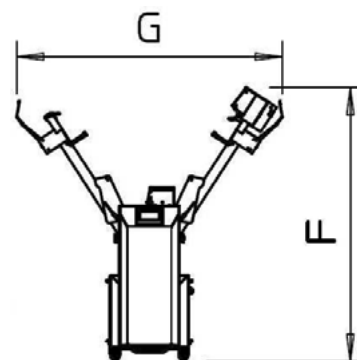
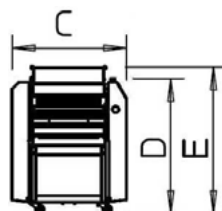
- Support tables structure made in stainless steel AISI 304 standard with tables length 1600 , 1800 and 2000 mm mounted on castors
- Very fast opening and closing cylinders system implemented through two screws in bain of oil connected each other with a toothed belt
- 7" color touch screen, user friendly and intuitive to programming that allow to memorize till 100 recipes easily re-called
- Strong cylinders with diameter of 80 mm



TRONIC PLUS 1600 - 1800



TRONIC PLUS 1200 - 1400



	Belts dimensions	Speed	Cylinder opening	Power	Voltage	Dimensions							Weight	
						mm								Kg
						A	B	C	D	E	F	G		
<b>TRONIC PLUS TRONIC MAN TRONIC</b>	654/2000	10÷60	0÷60	2,1	400/3~/50	4530	870	1045	1230	1340	2690	2850	370	
	654/1800	10÷60	0÷60	2,1	400/3~/50	4130	870	1045	1230	1340	2530	2630	370	
	654/1600	10÷60	0÷60	2,1	400/3~/50	3730	870	1045	1230	1340	2360	2405	370	
	654/1400	10÷60	0÷60	2,1	400/3~/50	3330	870	1045	1230	1340	2190	2185	370	
	654/1200	10÷60	0÷60	2,1	400/3~/50	2930	870	1045	1230	1340	2025	1965	370	
<b>Q670</b>	654/2000	35	0÷60	1,5	400/3~/50	4530	870	1170	1340	-	-	-	270	
	654/1800	35	0÷60	1,5	400/3~/50	4130	870	1170	1340	2530	2630	-	270	
	654/1600	35	0÷60	1,5	400/3~/50	3730	870	1170	1340	2360	2405	-	270	
	654/1400	35	0÷60	1,5	400/3~/50	3330	870	1170	1230	2190	2185	-	270	
	654/1200	35	0÷60	1,5	400/3~/50	2930	870	1170	1230	2025	1965	-	270	
<b>Q600</b>	584/1500	35	0÷50	0,75	400/3~/50	3485	870	1050	1250	2250	1205	-	190	
	584/1400	35	0÷50	0,75	400/3~/50	3285	870	1050	1250	2150	1140	-	190	
	584/1300	35	0÷50	0,75	400/3~/50	3085	870	1050	1250	2060	1075	-	190	
	584/1200	35	0÷50	0,75	400/3~/50	2885	870	1050	1250	1965	1010	-	190	
	584/1000	35	0÷50	0,75	400/3~/50	2485	870	1050	1250	1775	880	-	190	
<b>Q500</b>	488/1200	35	0÷40	0,55	400/3~/50	2855	850	865	1315	1960	800	-	160	
	488/1000	35	0÷40	0,55	400/3~/50	2455	850	865	1315	1765	720	-	160	
	488/900	35	0÷40	0,55	400/3~/50	2255	850	865	1315	1665	680	-	160	
	488/800	35	0÷40	0,55	400/3~/50	2055	850	865	1315	1565	645	-	160	
	488/700	35	0÷40	0,55	400/3~/50	1855	850	865	1315	1470	605	-	160	
<b>Q50S</b>	488/800	35	0÷40	0,55	400/3~/50	2055	850	865	1315	1550	775	-	115	
	488/700	35	0÷40	0,55	400/3~/50	1855	850	865	1315	1455	720	-	115	
<b>Q50B</b>	488/800	35	0÷40	0,55	400/3~/50	1700	165	865	630	845	785	-	115	
	488/700	35	0÷40	0,55	400/3~/50	1500	165	865	630	750	785	-	115	